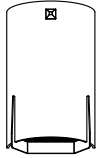


Kingston

DVP1342



Warning

All electrical connections must be made according to local codes. If you feel you do not have the experience necessary to do this, please have your fixture installed by a qualified, licensed electrician.

Make sure to note the maximum recommended wattage for your light fixture. **DO NOT EXCEED THE RECOMMENDED WATTAGE:**

DVP1342- 2 x 100W Medium Base

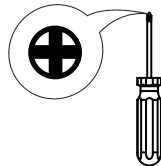
Cleaning

We recommend that you use a mild detergent, such as dish washing soap, and warm water to clean the glass and metal surfaces. After cleaning, make sure to dry the fixture completely because moisture will corrode the satin finish. Use a damp soft cloth to wipe off dust. **DO NOT USE** abrasive pads or cleaning materials.

During installation, some fixtures may require subtle adjustments in order for the fixture to look as intended.

Tools

Phillips head screwdriver



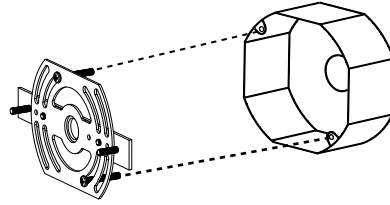
DVI

LIGHTING INC
WWW.DVCANADA.COM

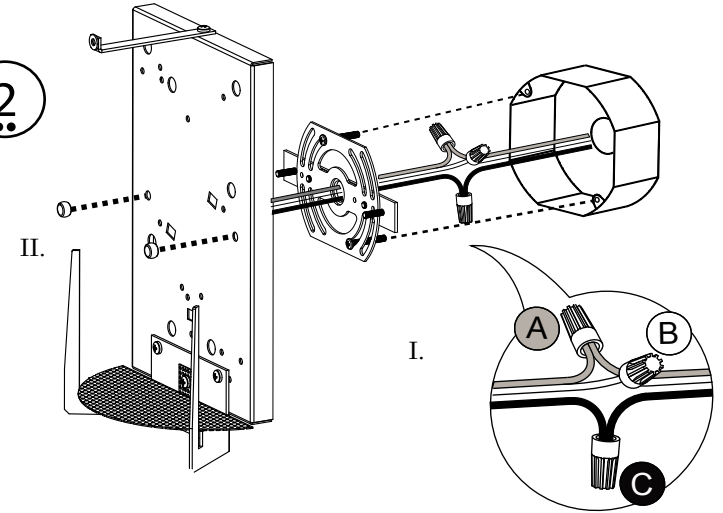
DVI Lighting
120 Great Gulf Drive, Concord
Ontario, L4K 5W1
Canada
Tel: (905) 660 5600
Fax: (905) 660 5714



1



2



A: Copper ground wire to ground wire - If you only have two wires coming from the electrical box, connect the fixture's copper wire to the green ground screw on the mounting plate.

B: White fixture wire to white supply wire.

C: Black Fixture wire to black supply wire.

3

