

ASSEMBLY INSTRUCTIONS

DVP1791 DVP1794
DVP1792 DVP1795
DVP1793

Warning

All electrical connections must be made according to local codes. If you feel you do not have the experience necessary to do this, please have your fixture installed by a qualified, licensed electrician.

The wattage of the LED arrays included is:

DVP1791 - 1 x 10.5W AC LED
DVP1792 - 2 x 10.5W AC LED
DVP1793 - 3 x 10.5W AC LED
DVP1794 - 4 x 10.5W AC LED
DVP1795 - 5 x 10.5W AC LED

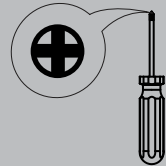
Cleaning

We recommend that you use a mild detergent, such as dish washing soap, and warm water to clean the glass and metal surfaces. After cleaning, make sure to dry the fixture completely because moisture will corrode the satin finish. Use a damp soft cloth to wipe off dust. DO NOT use abrasive pads or cleaning materials.

During installation, some fixtures may require subtle adjustments in order for the fixture to look as intended.

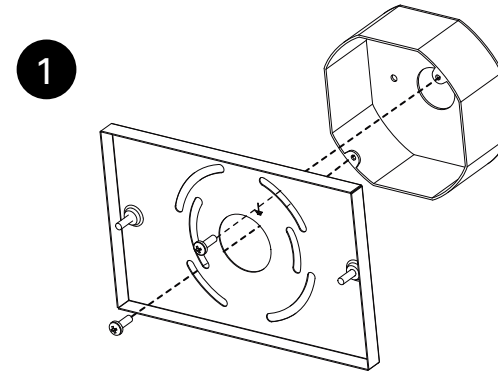
Tools

Phillips head screwdriver

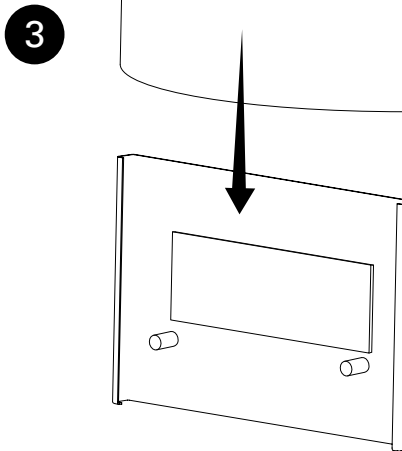
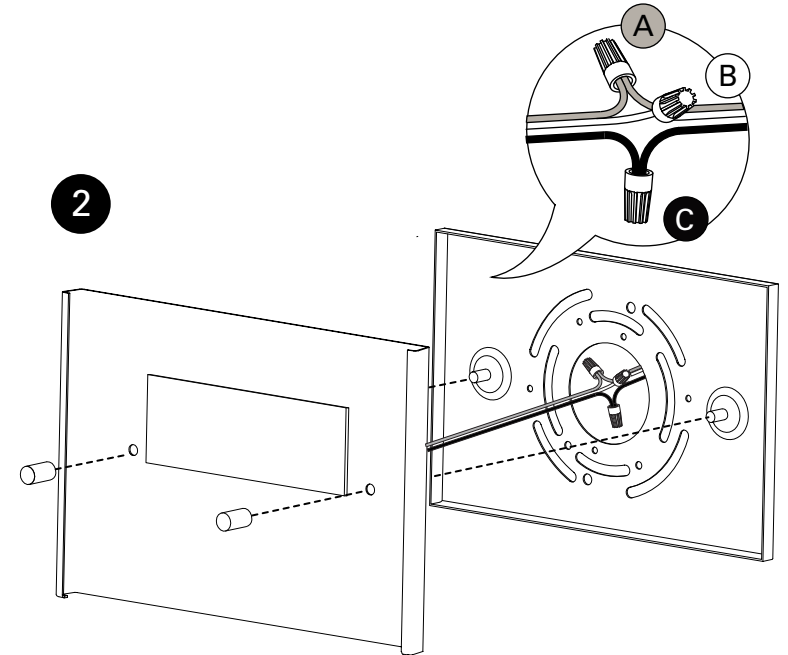


If you have any questions, comments, or concerns contact us at customerservice@dvi.lighting

DVI Lighting
120 Great Gulf Drive, Concord
Ontario, L4K 5W1 Canada
T: 1 855 384 5483
F: 1 855 384 8435



- A. Connect the copper ground wire to ground wire - If you only have two wires coming from the electrical box, connect the fixture's copper wire to the green ground screw on the mounting plate.
- B. Connect the white fixture wire to white supply wire.
- C. Connect the black fixture wire to black supply wire.



PLAN DE MONTAGE

DVP1791 DVP1794
 DVP1792 DVP1795
 DVP1793

Avertissement

Risque d'incendie et de choc électrique. Ce produit doit être installé par un electricien qualifié et certifié. Votre filerie doit être conforme aux codes locaux et nationaux. Si vous n'avez que deux fils dans votre boîte électrique, vissez le fil en cuivre sur la barre transversals de l'appareil.

La wattage des matrice de DEL est inclus:

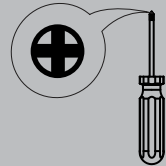
DVP1791 - 1 x 10.5W CA DEL
 DVP1792 - 2 x 10.5W CA DEL
 DVP1793 - 3 x 10.5W CA DEL
 DVP1794 - 4 x 10.5W CA DEL
 DVP1795 - 5 x 10.5W CA DEL

Nettoyage

Épousseter, pour nettoyer le verre à fond, laver à la main avec un savon doux et assécher immédiatement pour retenir le fini satiné. N'utilisez pas de produits abrasif ou chimique.

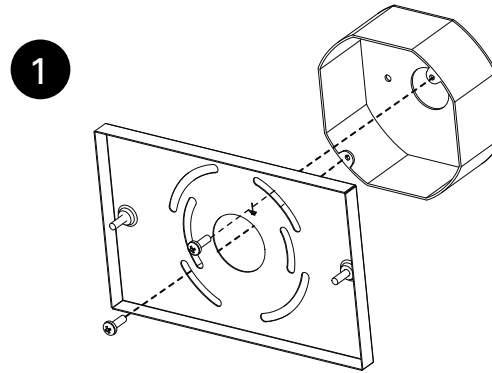
Instruments

Phillips tournevis



Pour toutes questions ou commentaires veuillez nous contacter au customer.service@dvi.lighting

DVI Lighting
 120 Great Gulf Drive, Concord
 Ontario, L4K 5W1 Canada
 T: 1 855 384 5483
 F: 1 855 384 8435



- A. Connect the copper ground wire to ground wire - If you only have two wires coming from the electrical box, connect the fixture's copper wire to the green ground screw on the mounting plate.
- B. Connect the white fixture wire to white supply wire.
- C. Connect the black fixture wire to black supply wire.

